

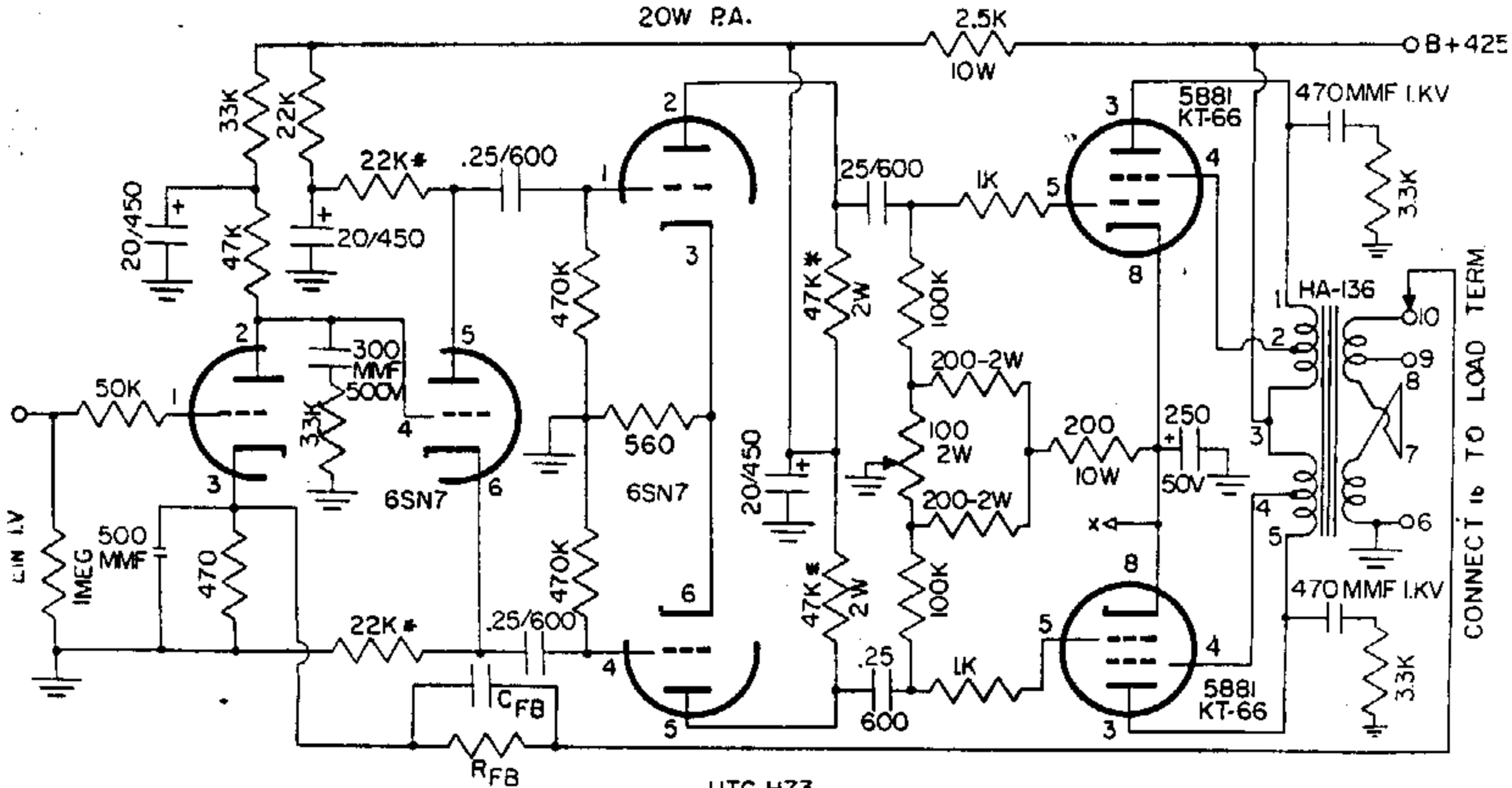
UNITED TRANSFORMER CORPORATION

150 VARICK STREET, NEW YORK 13, N. Y.

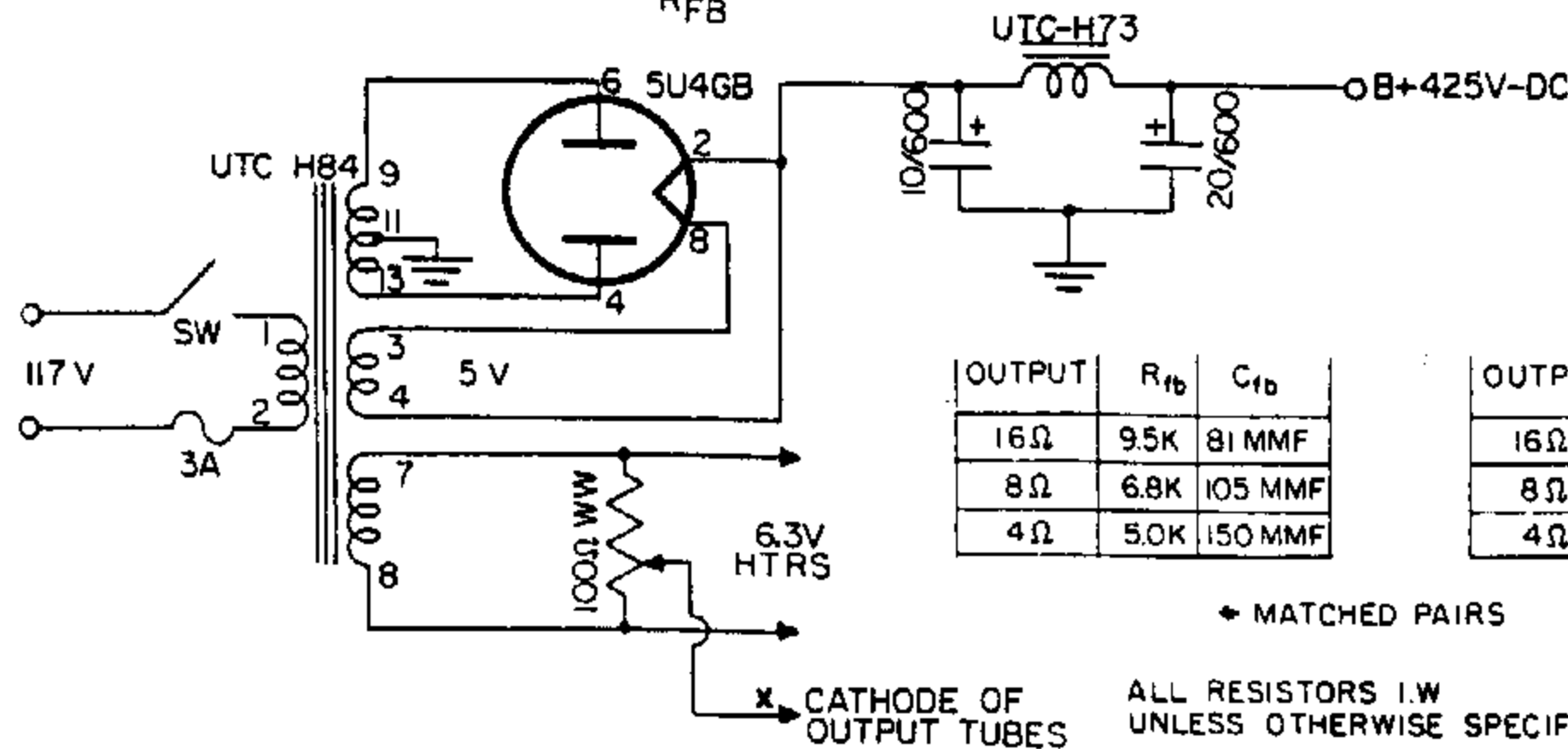
RECOMMENDED VACUUM TUBE AMPLIFIER CIRCUIT PROVIDING 20 WATTS

± 1 db 20 cycles to 30 KC ...

At 1 watt, ± 1 db 7 cycles to 100 KC.



CONNECT 16 TO LOAD TERM.



OUTPUT	R_{fb}	C_{fb}
16Ω	9.5K	81 MMF
8Ω	6.8K	105 MMF
4Ω	5.0K	150 MMF

OUTPUT	JOIN	OUTPUT TERMINALS
16Ω	7-8	6-10
8Ω	7-8	6-9
4Ω	8-10 6-7	6-10

♦ MATCHED PAIRS

ALL RESISTORS 1/2W
UNLESS OTHERWISE SPECIFIED